

eCANTER 9C18e

LEFT-HAND DRIVE

MODEL / VEHICLE TYPE

	9C18e			
Cab type / crew	Comfort, single cab / 3			
Battery variant	M			
Model variant	84008515	84008715	84008815	84008915
FUSO model code	FECXKELDSEU2	FECXKGLDSEU2	FECXKHLDSEU2	FECXKKLDSEU2

DIMENSIONS (MM)

Wheelbase		3400	3850	4450	4750
Overall length		6084	6730	7260	7780
Cab length				1631	
Width overall				2153	
Cab width				2098	
Height overall			2315–2368		2306–2361
Track width	Front / rear			1665 / 1660	
Frame height (at end of frame)				212	
Ground clearance			310		305
Cab to rear axle		2875	3325	3925	4225
Cab to end of frame		4349	5099	5599	6149
Maximum body length ²⁾		4985	5728	6718	7213
Frame width				850	
Front overhang				1185	
Rear overhang		1395	1695	1595	1845
Front axle to front of body				625	
Recommended distance cab to body				100	

WEIGHTS (KG)

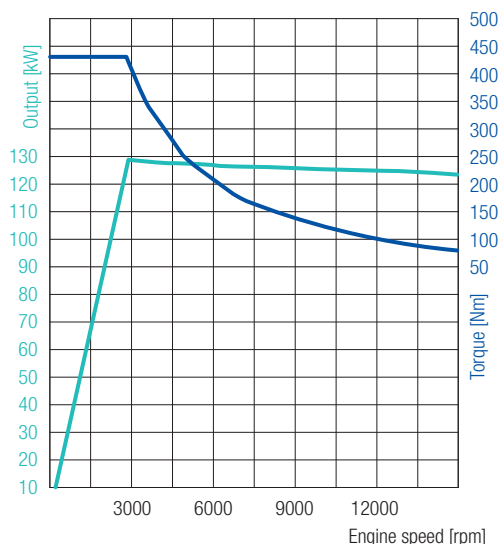
Empty weight ¹⁾		3415	3440	3465	3490
	Front / rear	1810 / 1605	1806 / 1634	1802 / 1663	1850 / 1640
Minimum vehicle weight		3620	3645	3670	3695
Gross vehicle weight				8550	
Axle loads ¹⁾	Front / rear			3400 / 5990	
Chassis load bearing capacity ²⁾		5135	5110	5085	5060

DRIVING PERFORMANCE AND AGILITY

Maximum speed	km/h			89	
Minimum turning circle (m)	Kerb to kerb	13.0	14.6	16.6	17.6
	Wall to wall	14.4	16.0	18.0	19.0

¹⁾ The weight refers to the base vehicle (European series, including high voltage battery, tyre sealant, tools and driver with 75 kg) without optional equipment. If any optional equipment is added, the weight changes accordingly.

²⁾ Calculated maximum value which should be checked depending on the body and application. Subject to change without notice. All data is approximate.



eCANTER 9C18e

LEFT-HAND DRIVE

129 kW (175 hp)
430 Nm

ELECTRIC DRIVE

Type	S40		
Peak output / continuous output	129 kW (175 hp) / 110 kW (150 hp)		
Maximum torque / continuous torque	430 Nm / 250 Nm		
PTO (optional)	Type	mPTO with pump connection	mPTO with pulley
	Maximum torque	222 Nm at 2000 rpm	64 Nm at 7000 rpm
	Continuous power / torque	17 kW / 166 Nm, maximum 2000 rpm	17 kW / 46 Nm, maximum 7000 rpm
	Gear ratio	0.286	–

HIGH VOLTAGE BATTERY

Battery variant	M		
Capacity usable / installed	kWh	78 / 82	
Weight ³⁾	kg	930	
Range ⁴⁾	km	140	

CHARGING

Connection type / variants	CCS TYP 2 (AC / DC)		
Maximum charging capacity AC / DC	kW	22 / 104	
Maximum charging time AC ⁵⁾	0–100 %	h:min	4:54
Maximum charging time DC ⁵⁾	20–80 %	h:min	0:26
	5–90 %	h:min	0:44

POWERTRAIN

Climbing ability	20 %		
------------------	------	--	--

CHASSIS

Front axle / rear axle	Leaf springs / E-axle		
Tyres	225/70 R 19.5		
Wheel	19.5 x 6.00 - 127		
Steering	Left-hand drive	Recirculating ball steering with power assist, tilting telescopic steering column with steering-wheel lock	
Brake	Service brake	Hydraulic with vacuum power assist, dual-circuit with load-dependent brake proportioning valve at rear wheels	
	Front / rear	Disc brake (355 x 42 mm)	
	Parking brake	Electromechanical brake caliper on rear disc brake	
Suspension	Front / rear	Semi-elliptic leaf springs with shock absorber and stabilizer	
Frame	Type	Ladder-type frame with reinforcements and crossmembers	
Electrical system	Low voltage batteries	Series 12 V (80 Ah) / optional 24 V (80 + 60 Ah)	

3) The specified weight includes both the battery(ies) with 325 kg each and the peripheral installations (cabling, temperature control, protection, etc.).

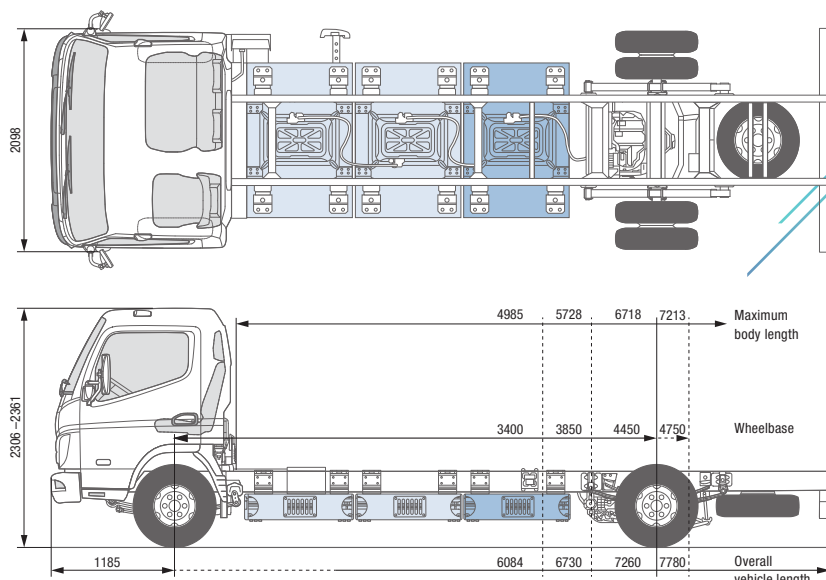
4) The range depends on various factors such as load, driving style, topography, ambient temperature or weather, battery age, vehicle equipment. The actual range may vary.

The given values for the range were tested with a box body, a load of 50% of the payload, an ambient temperature of 20 °C and an average battery age.

5) The charging time depends on various factors such as the charging capacity of the vehicle and charging station, the battery's state of charge, ambient and battery temperature.

The given values for the charging time were tested under optimum ambient temperature of 20 °C.

The illustrations may contain accessories and items of optional equipment which are not part of the standard specification. The data sheet may contain product types and support services not available in certain countries.

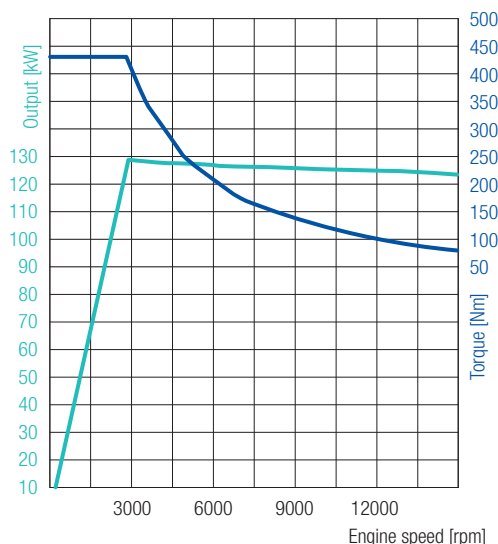


eCANTER 9C18e LEFT-HAND DRIVE

MODEL / VEHICLE TYPE		9C18e	
Cab type / crew		Comfort, single cab / 3	
Battery variant		L	
Model variant		84009815	84009915
FUSO model code		FECXKHLESEU2	FECXKKLESEU2
DIMENSIONS (MM)			
Wheelbase		4450	4750
Overall length		7230	7780
Cab length		1631	
Width overall		2153	
Cab width		2098	
Height overall		2306–2361	
Track width	Front / rear	1665 / 1660	
Frame height (at end of frame)		212	
Ground clearance		305	
Cab to rear axle		3925	4225
Cab to end of frame		5599	6149
Maximum body length ²⁾		6718	7213
Frame width		850	
Front overhang		1185	
Rear overhang		1595	1845
Front axle to front of body		625	
Recommended distance cab to body		100	
WEIGHTS (KG)			
Empty weight ¹⁾		3930	3955
	Front / rear	2004 / 1926	2017 / 1938
Minimum vehicle weight		4135	4160
Gross vehicle weight		8550	
Axle loads ¹⁾	Front / rear	3400 / 5990	
Chassis load bearing capacity ²⁾		4620	4595
DRIVING PERFORMANCE AND AGILITY			
Maximum speed	km/h	89	
Minimum turning circle (m)	Kerb to kerb	16.6	17.6
	Wall to wall	18.0	19.0

¹⁾ The weight refers to the base vehicle (European series, including high voltage battery, tyre sealant, tools and driver with 75 kg) without optional equipment. If any optional equipment is added, the weight changes accordingly.

²⁾ Calculated maximum value which should be checked depending on the body and application. Subject to change without notice. All data is approximate.



eCANTER 9C18e

LEFT-HAND DRIVE

129 kW (175 hp)
430 Nm

ELECTRIC DRIVE

Type	S40		
Peak output / continuous output	129 kW (175 hp) / 110 kW (150 hp)		
Maximum torque / continous torque	430 Nm / 250 Nm		
PTO (optional)	Type	mPTO with pump connection	mPTO with pulley
	Maximum torque	222 Nm at 2000 rpm	64 Nm at 7000 rpm
	Continuous power / torque	17 kW / 166 Nm, maximum 2000 rpm	17 kW / 46 Nm, maximum 7000 rpm
	Gear ratio	0.286	–

HIGH VOLTAGE BATTERY

Battery variant	L		
Capacity usable / installed	kWh	116 / 124	
Weight ³⁾	kg	1395	
Range ⁴⁾	km	200	

CHARGING

Connection type / variants	CCS TYP 2 (AC / DC)		
Maximum charging capacity AC / DC	kW	22 / 104	
Maximum charging time AC ⁵⁾	0–100 %	h:min	6:00
Maximum charging time DC ⁵⁾	20–80 %	h:min	0:39
	5–90 %	h:min	1:16

POWERTRAIN

Climbing ability	20 %
------------------	------

CHASSIS

Front axle / rear axle	Leaf springs / E-axle		
Tyres	225/70 R 19.5		
Wheel	19.5 x 6.00 - 127		
Steering	Left-hand drive	Recirculating ball steering with power assist, tilting telescopic steering column with steering-wheel lock	
Brake	Service brake	Hydraulic with vacuum power assist, dual-circuit with load-dependent brake proportioning valve at rear wheels	
	Front / rear	Disc brake (355 x 42 mm)	
	Parking brake	Electromechanical brake caliper on rear disc brake	
Suspension	Front / rear	Semi-elliptic leaf springs with shock absorber and stabilizer	
Frame	Type	Ladder-type frame with reinforcements and crossmembers	
Electrical system	Low voltage batteries	Series 12 V (80 Ah) / optional 24 V (80 + 60 Ah)	

3) The specified weight includes both the battery(ies) with 325 kg each and the peripheral installations (cabling, temperature control, protection, etc.).

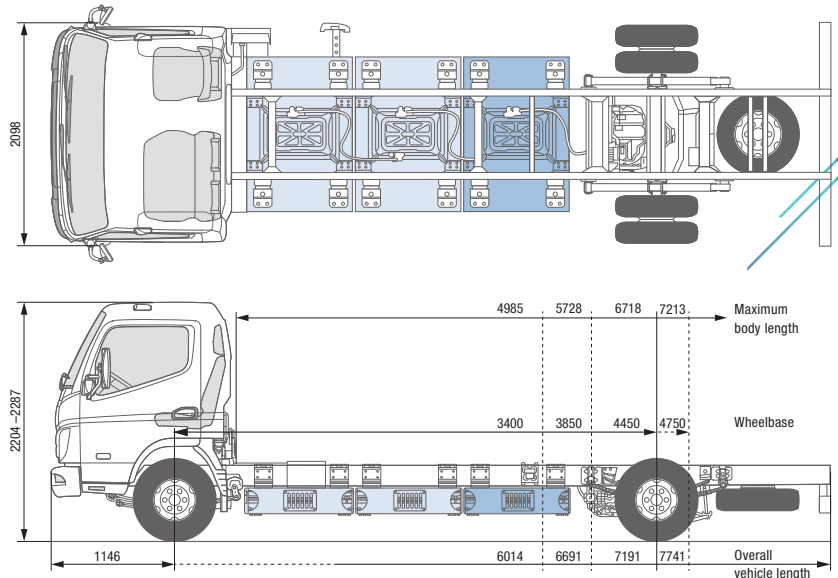
4) The range depends on various factors such as load, driving style, topography, ambient temperature or weather, battery age, vehicle equipment. The actual range may vary.

The given values for the range were tested with a box body, a load of 50% of the payload, an ambient temperature of 20 °C and an average battery age.

5) The charging time depends on various factors such as the charging capacity of the vehicle and charging station, the battery's state of charge, ambient and battery temperature.

The given values for the charging time were tested under optimum ambient temperature of 20 °C.

The illustrations may contain accessories and items of optional equipment which are not part of the standard specification. The data sheet may contain product types and support services not available in certain countries.



eCANTER 9C18e RIGHT-HAND DRIVE

MODEL / VEHICLE TYPE

	9C18e			
Cab type / crew	Comfort, single cab / 3			
Battery variant	M			
Model variant	84008525	84008725	84008825	84008925
FUSO model code	FECXKERDSEU2	FECXKGRDSEU2	FECXKHRDSEU2	FECXKKRDSEU2

DIMENSIONS (MM)

Wheelbase		3400	3850	4450	4750
Overall length		6084	6730	7260	7780
Cab length				1631	
Width overall				2153	
Cab width				2098	
Height overall			2315–2368		2306–2361
Track width	Front / rear			1665 / 1660	
Frame height (at end of frame)				212	
Ground clearance			310		305
Cab to rear axle		2875	3325	3925	4225
Cab to end of frame		4349	5099	5599	6149
Maximum body length ²⁾		4985	5728	6718	7213
Frame width				850	
Front overhang				1185	
Rear overhang		1395	1695	1595	1845
Front axle to front of body				625	
Recommended distance cab to body				100	

WEIGHTS (KG)

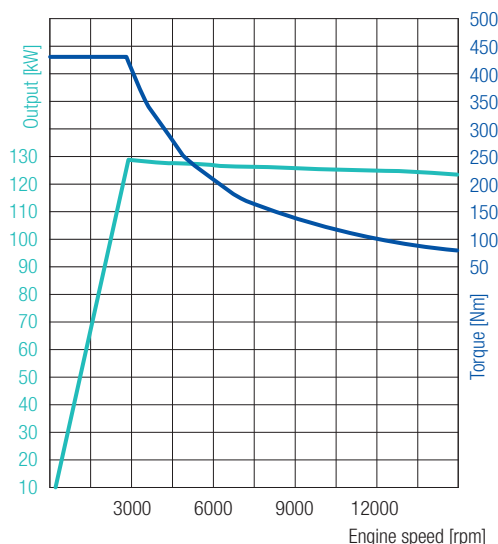
Empty weight ¹⁾		3415	3440	3465	3490
	Front / rear	1810 / 1605	1806 / 1634	1802 / 1663	1850 / 1640
Minimum vehicle weight		3620	3645	3670	3695
Gross vehicle weight				8550	
Axle loads ¹⁾	Front / rear			3400 / 5990	
Chassis load bearing capacity ²⁾		5135	5110	5085	5060

DRIVING PERFORMANCE AND AGILITY

Maximum speed	km/h			89	
Minimum turning circle (m)	Kerb to kerb	13.0	14.6	16.6	17.6
	Wall to wall	14.4	16.0	18.0	19.0

¹⁾ The weight refers to the base vehicle (European series, including high voltage battery, tyre sealant, tools and driver with 75 kg) without optional equipment. If any optional equipment is added, the weight changes accordingly.

²⁾ Calculated maximum value which should be checked depending on the body and application. Subject to change without notice. All data is approximate.



eCANTER 9C18e RIGHT-HAND DRIVE

129 kW (175 hp)
430 Nm

ELECTRIC DRIVE

Type	S40		
Peak output / continuous output	129 kW (175 hp) / 110 kW (150 hp)		
Maximum torque / continuous torque	430 Nm / 250 Nm		
PTO (optional)	Type	mPTO with pump connection	mPTO with pulley
	Maximum torque	222 Nm at 2000 rpm	64 Nm at 7000 rpm
	Continuous power / torque	17 kW / 166 Nm, maximum 2000 rpm	17 kW / 46 Nm, maximum 7000 rpm
	Gear ratio	0.286	–

HIGH VOLTAGE BATTERY

Battery variant	M	
Capacity usable / installed	kWh	78 / 82
Weight ³⁾	kg	930
Range ⁴⁾	km	140

CHARGING

Connection type / variants	CCS TYP 2 (AC / DC)	
Maximum charging capacity AC / DC	kW	22 / 104
Maximum charging time AC ⁵⁾	0–100 % h:min	4:54
Maximum charging time DC ⁵⁾	20–80 % h:min	0:26
	5–90 % h:min	0:44

POWERTRAIN

Climbing ability	20 %
------------------	------

CHASSIS

Front axle / rear axle	Leaf springs / E-axle	
Tyres	225/70 R 19.5	
Wheel	19.5 x 6.00 - 127	
Steering	Right-hand drive	Recirculating ball steering with power assist, tilting telescopic steering column with steering-wheel lock
Brake	Service brake	Hydraulic with vacuum power assist, dual-circuit with load-dependent brake proportioning valve at rear wheels
	Front / rear	Disc brake (355 x 42 mm)
	Parking brake	Electromechanical brake caliper on rear disc brake
Suspension	Front / rear	Semi-elliptic leaf springs with shock absorber and stabilizer
Frame	Type	Ladder-type frame with reinforcements and crossmembers
Electrical system	Low voltage batteries	Series 12 V (80 Ah) / optional 24 V (80 + 60 Ah)

3) The specified weight includes both the battery(ies) with 325 kg each and the peripheral installations (cabling, temperature control, protection, etc.).

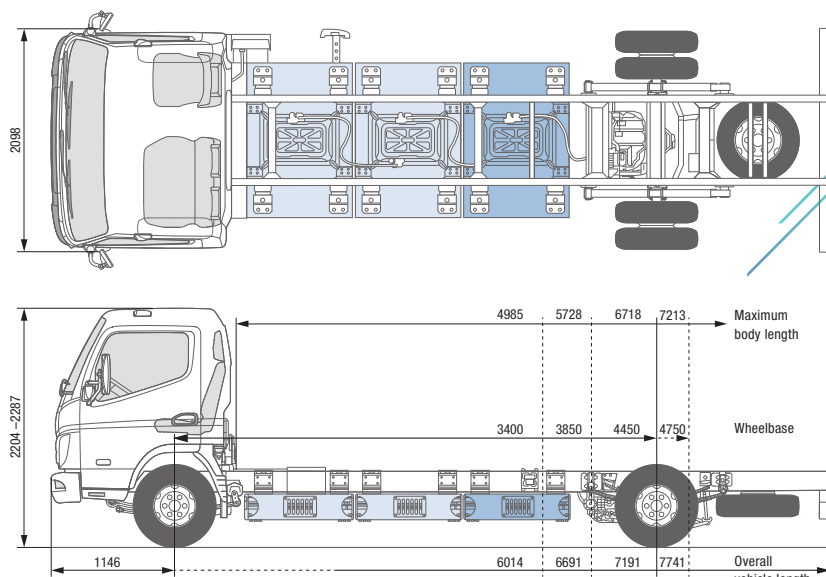
4) The range depends on various factors such as load, driving style, topography, ambient temperature or weather, battery age, vehicle equipment. The actual range may vary.

The given values for the range were tested with a box body, a load of 50% of the payload, an ambient temperature of 20 °C and an average battery age.

5) The charging time depends on various factors such as the charging capacity of the vehicle and charging station, the battery's state of charge, ambient and battery temperature.

The given values for the charging time were tested under optimum ambient temperature of 20 °C.

The illustrations may contain accessories and items of optional equipment which are not part of the standard specification. The data sheet may contain product types and support services not available in certain countries.

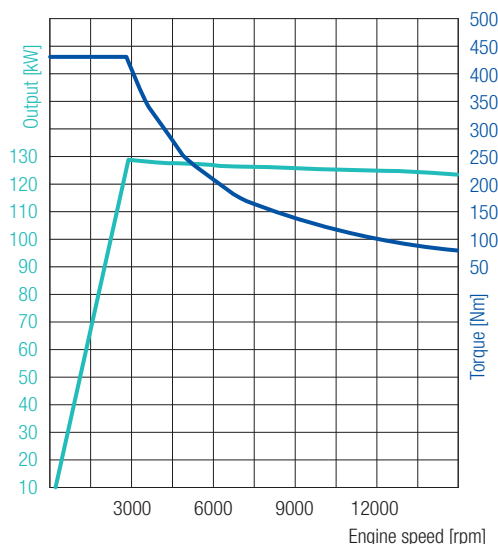


eCANTER 9C18e RIGHT-HAND DRIVE

MODEL / VEHICLE TYPE		9C18e	
Cab type / crew		Comfort, single cab / 3	
Battery variant		L	
Model variant		84009825	84009925
FUSO model code		FECXKHRESEU2	FECXKKRESEU2
DIMENSIONS (MM)			
Wheelbase		4450	4750
Overall length		7230	7780
Cab length		1631	
Width overall		2153	
Cab width		2098	
Height overall		2306–2361	
Track width		Front / rear 1665 / 1660	
Frame height (at end of frame)		212	
Ground clearance		305	
Cab to rear axle		3925	4225
Cab to end of frame		5599	6149
Maximum body length ²⁾		6718	7213
Frame width		850	
Front overhang		1185	
Rear overhang		1595	1845
Front axle to front of body		625	
Recommended distance cab to body		100	
WEIGHTS (KG)			
Empty weight ¹⁾		3930	3955
Front / rear		2004 / 1926	2017 / 1938
Minimum vehicle weight		4135	4160
Gross vehicle weight		8550	
Axle loads ¹⁾		Front / rear 3400 / 5990	
Chassis load bearing capacity ²⁾		4620	4595
DRIVING PERFORMANCE AND AGILITY			
Maximum speed		km/h	89
Minimum turning circle (m)		Kerb to kerb	16.6
		Wall to wall	18.0
			17.6
			19.0

¹⁾ The weight refers to the base vehicle (European series, including high voltage battery, tyre sealant, tools and driver with 75 kg) without optional equipment. If any optional equipment is added, the weight changes accordingly.

²⁾ Calculated maximum value which should be checked depending on the body and application. Subject to change without notice. All data is approximate.



eCANTER 9C18e RIGHT-HAND DRIVE

129 kW (175 hp)
430 Nm

ELECTRIC DRIVE

Type	S40		
Peak output / continuous output	129 kW (175 hp) / 110 kW (150 hp)		
Maximum torque / continous torque	430 Nm / 250 Nm		
PTO (optional)	Type	mPTO with pump connection	mPTO with pulley
	Maximum torque	222 Nm at 2000 rpm	64 Nm at 7000 rpm
	Continuous power / torque	17 kW / 166 Nm, maximum 2000 rpm	17 kW / 46 Nm, maximum 7000 rpm
	Gear ratio	0.286	–

HIGH VOLTAGE BATTERY

Battery variant	L		
Capacity usable / installed	kWh	116 / 124	
Weight ³⁾	kg	1395	
Range ⁴⁾	km	200	

CHARGING

Connection type / variants	CCS TYP 2 (AC / DC)		
Maximum charging capacity AC / DC	kW	22 / 104	
Maximum charging time AC ⁵⁾	0–100 %	h:min	6:00
Maximum charging time DC ⁵⁾	20–80 %	h:min	0:39
	5–90 %	h:min	1:16

POWERTRAIN

Climbing ability	20 %
------------------	------

CHASSIS

Front axle / rear axle	Leaf springs / E-axle		
Tyres	225/70 R 19.5		
Wheel	19.5 x 6.00 - 127		
Steering	Right-hand drive	Recirculating ball steering with power assist, tilting telescopic steering column with steering-wheel lock	
Brake	Service brake	Hydraulic with vacuum power assist, dual-circuit with load-dependent brake proportioning valve at rear wheels	
	Front / rear	Disc brake (355 x 42 mm)	
	Parking brake	Electromechanical brake caliper on rear disc brake	
Suspension	Front / rear	Semi-elliptic leaf springs with shock absorber and stabilizer	
Frame	Type	Ladder-type frame with reinforcements and crossmembers	
Electrical system	Low voltage batteries	Series 12 V (80 Ah) / optional 24 V (80 + 60 Ah)	

3) The specified weight includes both the battery(ies) with 325 kg each and the peripheral installations (cabling, temperature control, protection, etc.).

4) The range depends on various factors such as load, driving style, topography, ambient temperature or weather, battery age, vehicle equipment. The actual range may vary.

The given values for the range were tested with a box body, a load of 50% of the payload, an ambient temperature of 20 °C and an average battery age.

5) The charging time depends on various factors such as the charging capacity of the vehicle and charging station, the battery's state of charge, ambient and battery temperature.

The given values for the charging time were tested under optimum ambient temperature of 20 °C.

The illustrations may contain accessories and items of optional equipment which are not part of the standard specification. The data sheet may contain product types and support services not available in certain countries.